

# FreeSpace® 203® loudspeaker

# BOSE®

## Key Features

- **Full-range** loudspeaker with two highly reliable 4.5" (114 mm) Bose StarDriver® transducers, one outward firing and one cross-firing, to create a large sound field over a broad listening area for surface-mount applications
- **Overpower** protection circuit prevents loudspeaker damage due to excessive power
- **Optional CVT-2 transformer** available for use in a distributed sound system
- **Quality sound** without the need for special equipment and additional accessories. Can often be used with an existing amplifier to replace current loudspeakers or to expand sound coverage
- **Sold in pairs** and designed for use in stereo applications



TECHNICAL DATA SHEET

## Product Overview

The Bose® FreeSpace 203 is a full-range, passively equalized, surface-mount loudspeaker designed for foreground music and speech reproductions in applications that demand high-fidelity sound, powerful bass and proven reliability, in a compact, stylish cabinet. It features a 115° x 150° coverage pattern and a frequency range down to 45 Hz.

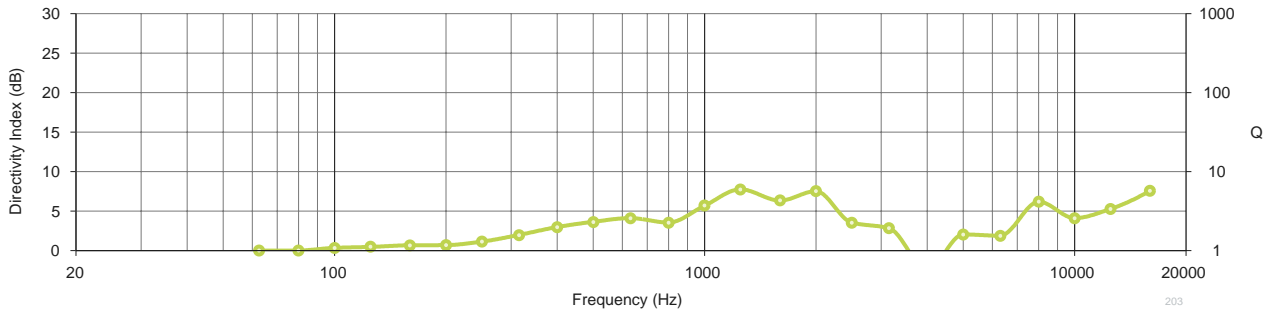
## Technical Specifications

System Performance	
Frequency Response (+/-3 dB) <sup>1</sup>	65 Hz - 14 kHz
Frequency Range (-10 dB) <sup>1</sup>	45 Hz - 17 kHz
Nominal Dispersion	115° H x 150° V
Recommended High-Pass Filter	50 Hz high-pass filter
Loudspeaker EQ	Recommended
Overload Protection	PTC/Lamp
Long-Term Power Handling <sup>2</sup>	100 W (400 W peak)
Sensitivity (SPL / 1 W @ 1 m) <sup>3</sup>	84 dB SPL
Maximum SPL @ 1 m <sup>4</sup>	104 dB SPL (110 dB SPL peak)
Nominal Impedance	6 Ω (transformer bypassed)
Transformer Taps (70/100 V)	CVT-2 transformer available
Transducers	
Driver Complement	Two (2) patented 4.5" (114 mm) Bose® StarDriver® transducers
Physical	
Enclosure	MDF with solid color PVC laminate
Grille	Powder-coated steel grille
Environmental	Indoor use only
Connectors	Barrier strip screw terminal
Suspension / Mounting	Quick install wall mount bracket and hardware included
Dimensions	7.4" H x 12.8" W x 8.3" D (187 mm x 325 mm x 211 mm) Depth with transformer: 9.8" (250 mm)
Net Weight	11.0 lb (5.0 kg)
Shipping Weight	26.8 lb (12.2 kg) - pair
Product Code	
Grey	040119 - pair
White	040120 - pair

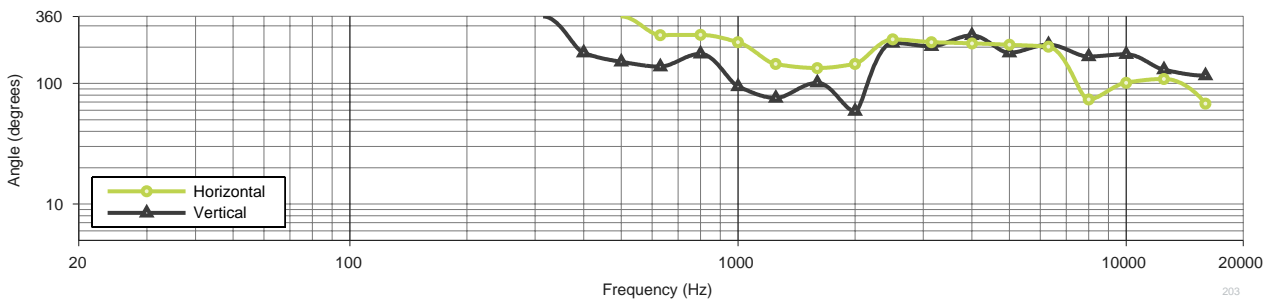
### Footnotes:

- <sup>1</sup> Frequency response and range measured on-axis with recommended active EQ in an anechoic environment.
- <sup>2</sup> Power handling tested using pink noise filtered to meet IEC 268-5, 6 dB crest factor, 100 hours, with recommended EQ.
- <sup>3</sup> Sensitivity measured in free field (no boundary-loading gain) with recommended active EQ, referenced to 1W/1m.
- <sup>4</sup> Maximum SPL calculated from sensitivity and power handling specifications, exclusive of power compression.

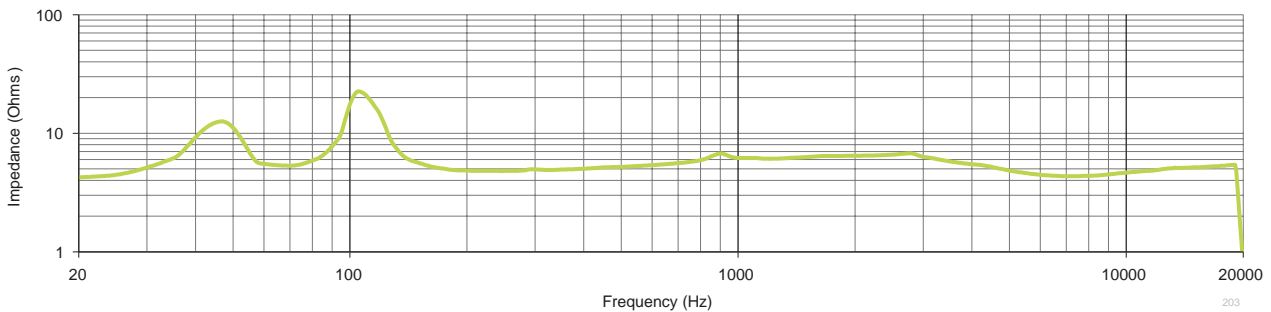
### Directivity Index and Q



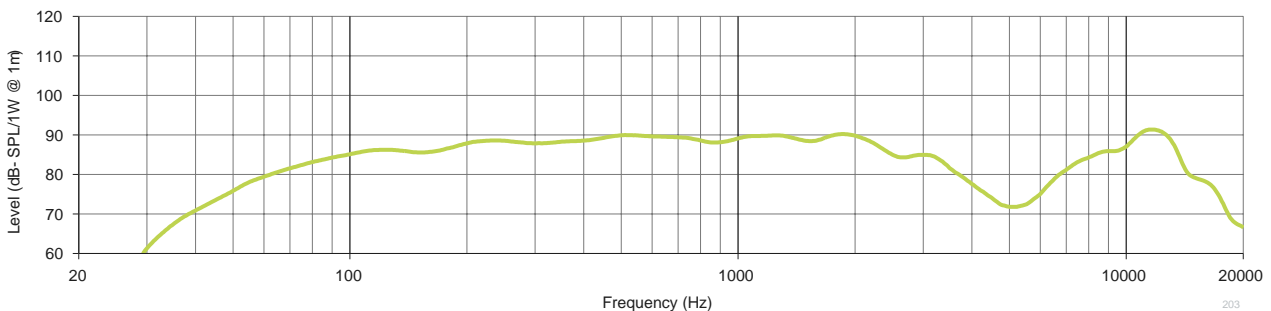
### Beamwidth



### Impedance



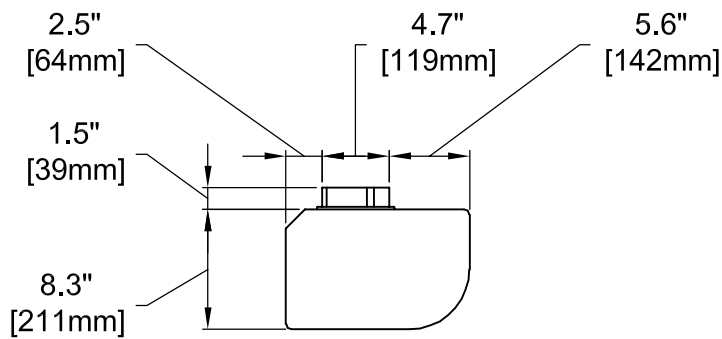
### On-Axis Response



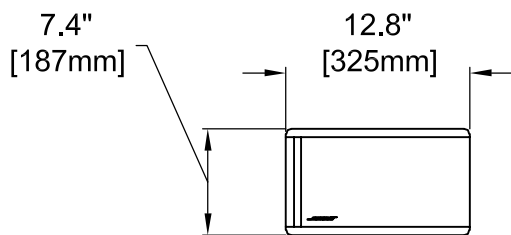
Tap Chart

FreeSpace 203 Tap Chart							
Mount Height	m	2.4	3.0	3.6	4.2	4.8	
	ft	8	10	12	14	16	
T	19	91	90	90	89	88	dB <sub>SPL</sub>
A	38	94	93	93	92	91	
P	75	97	96	95	95	94	
	8Ω	98	97	97	96	95	

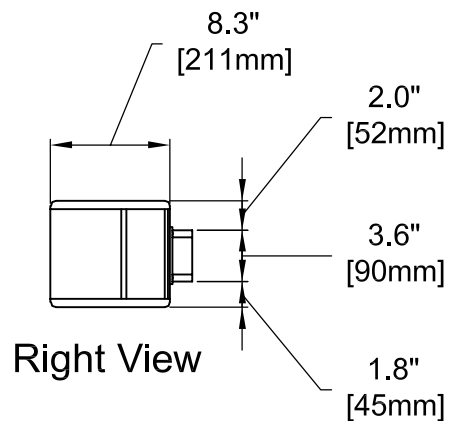
Mechanical Diagrams



Top View

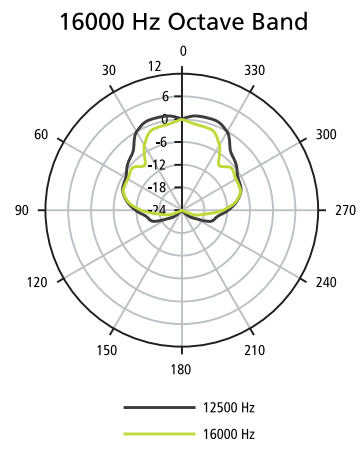
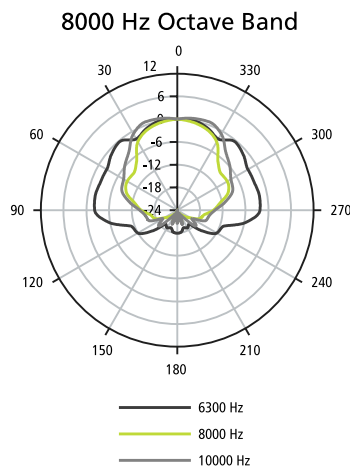
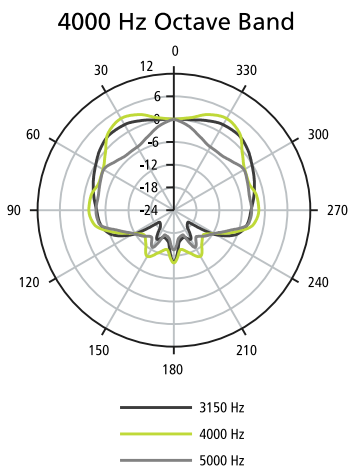
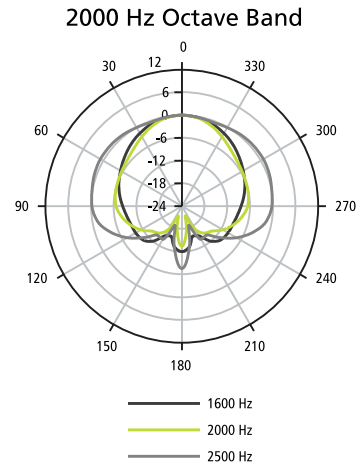
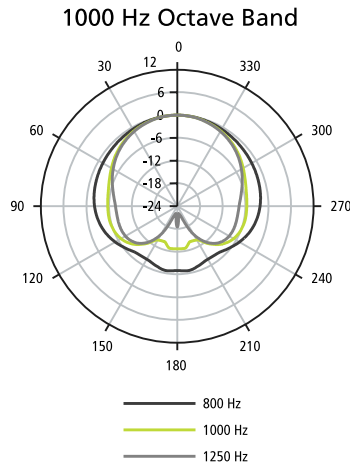
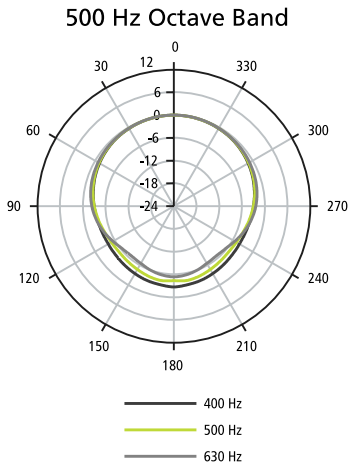
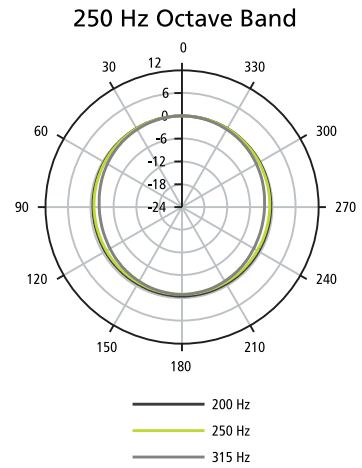
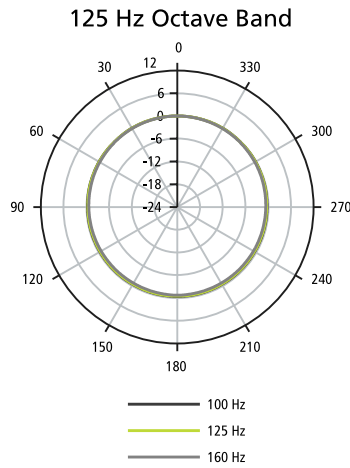
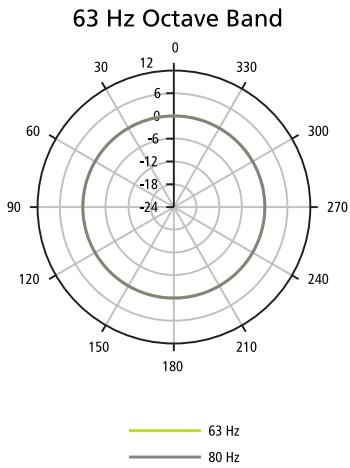


Front View



Right View

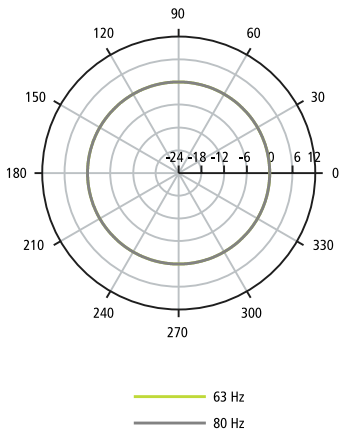
## Horizontal Plots



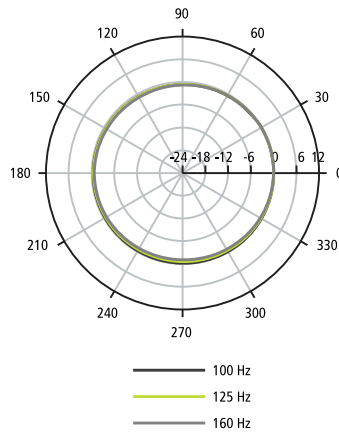
203

## Vertical Plots

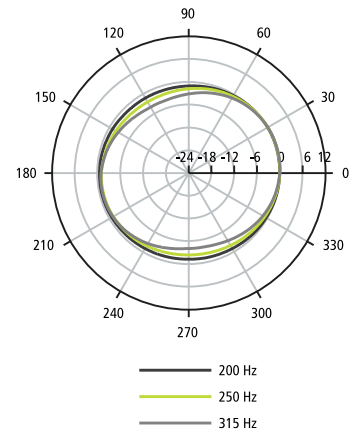
63 Hz Octave Band



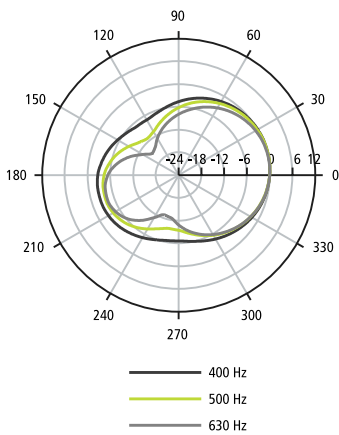
125 Hz Octave Band



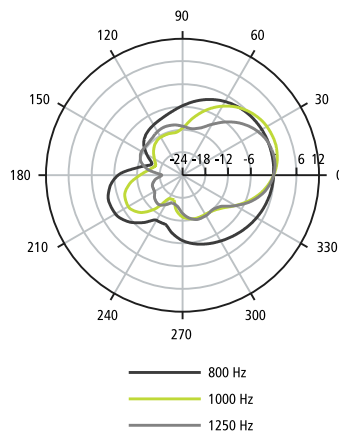
250 Hz Octave Band



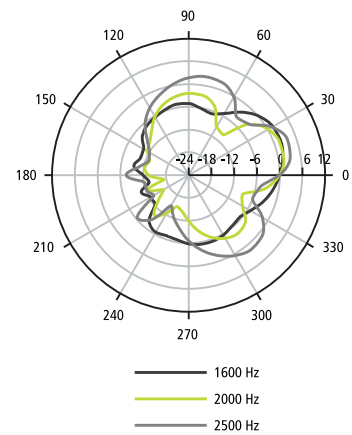
500 Hz Octave Band



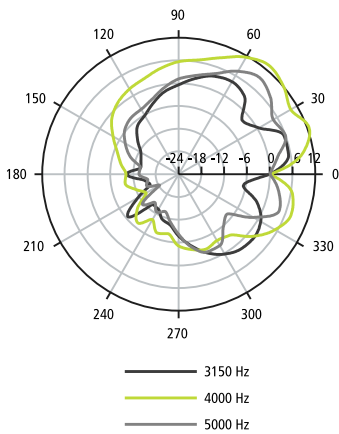
1000 Hz Octave Band



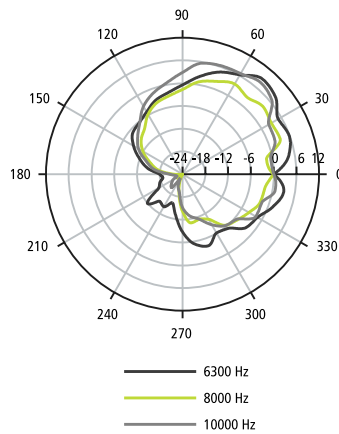
2000 Hz Octave Band



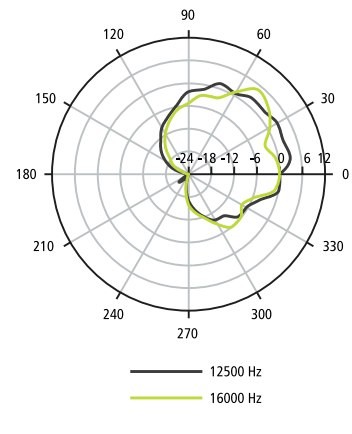
4000 Hz Octave Band



8000 Hz Octave Band



16000 Hz Octave Band



# FreeSpace® 203® loudspeaker



## Architects' and Engineers' Specifications

The loudspeaker shall be a 100 watt ported loudspeaker utilizing two 4.5" (114 mm) full-range drivers, one outward firing, and one cross-firing. The drivers shall have a rated impedance of 6 ohms nominal (4.8 ohms minimum). The loudspeaker is designed for direct connection to unequalized low impedance amplifier sources.

For 70/100 volt systems, an accessory transformer shall be used. The transformer shall offer 19, 38, and 75 watt taps.

The loudspeaker shall have a maximum continuous acoustic output of 104 dB SPL from 65 Hz -14 kHz. The input connector shall be a barrier strip. The coverage angle shall be 115° H and 150° V. The loudspeaker shall be available in Professional Grey and Arctic White.

The loudspeaker shall be the Bose® FreeSpace® 203® loudspeaker.

## Safety and Regulatory Compliance

The FreeSpace 203® loudspeaker meets current regulatory standards (as of 2001) for surface-mount loudspeakers and is U.L. listed as vandal resistant.

TECHNICAL DATA SHEET

All information subject to change without notice.  
© 2012 Bose Corporation  
All trademarks are those of their respective owners.