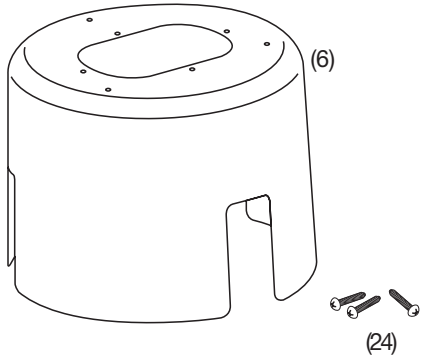
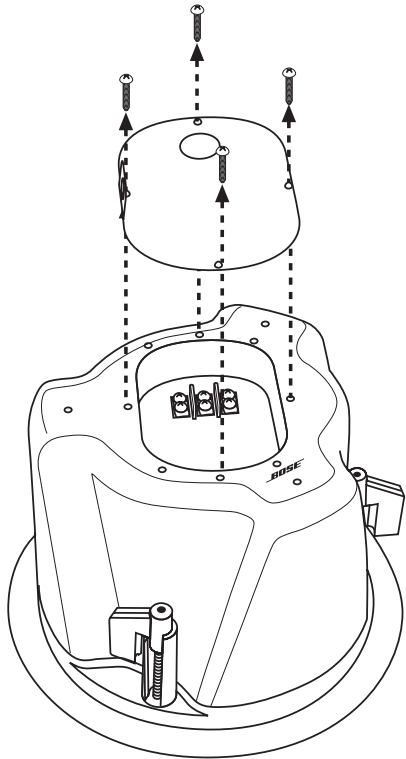


# BOSE Model PC - 16 Installation Sheet

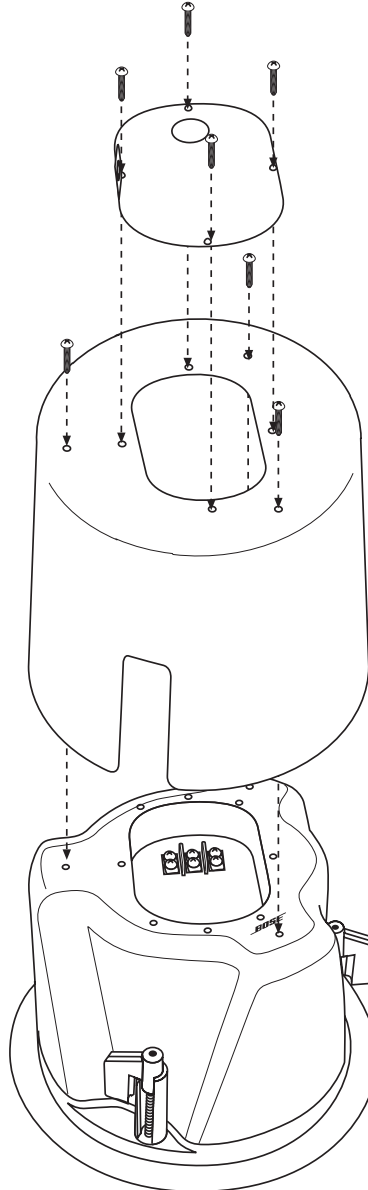
Contents  
Inndhold  
Inhalt  
Contenido  
Contenu  
Contenuto  
Inhoud  
Innehåll



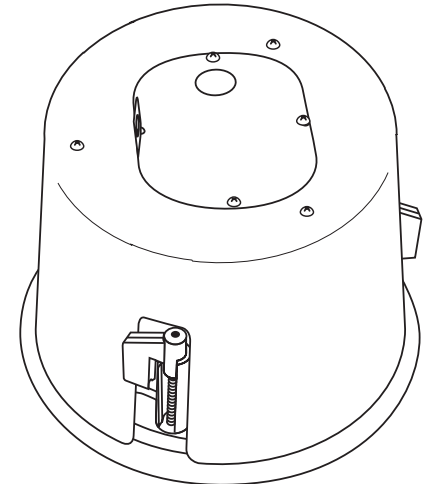
1



2



3



**BOSE**  
Better sound through research®

©2002 Bose Corporation, The Mountain  
Framingham, MA 01701-9168 USA  
263815 AM Rev.00 JN30576